

**STABILA®**



...sets standards



**Fast, easy,  
dependable.**

# Type LAPR 150 Rotating Laser

**ACCURATE. TOUGH. RELIABLE. EASIEST-TO-USE.**



## Optimized technology, improved handling, more power.

- No waiting: Rapid self-leveling via pendulum technology.
- Working range: 600' (180 m) with receiver.
- Rotation horizontally and vertically, threestage scan, plumb line, 90° angle.
- Pendulum protected during transport.
- Fastest change from horizontal to vertical position.
- Protected by metal roll cage and shock absorbing rubber over molded casing.
- Long operating battery life: approx. 80 hours.
- Battery drawer: Fast and easy replacement directly on the tripod as well. (No benchmark rework)
- Dust and water rating = IP 54.
- Made in Germany.



Fast self-leveling via pendulum technology – no wasting time.

**MADE IN GERMANY**





Quickly change from horizontal to vertical position.



Large leveling range with pivoting laser body.



Battery drawer: Easy replacement directly on the tripod as well.



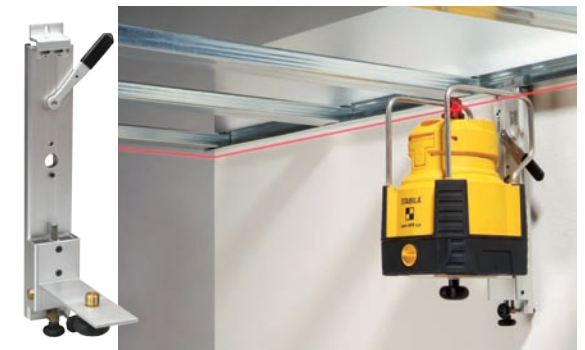
## Type LAPR 150:

**Ideal for: Residential construction, residential concrete, light commercial, interior layout and general construction.**

**MADE IN GERMANY**



**All functions you need on the building site: Rotation horizontally and vertically, three-stage scan, plumb line, 90° angle.**

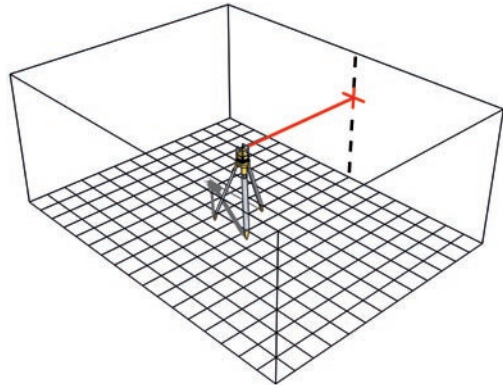


**Further useful accessories:** the optional NK 100 wall bracket.



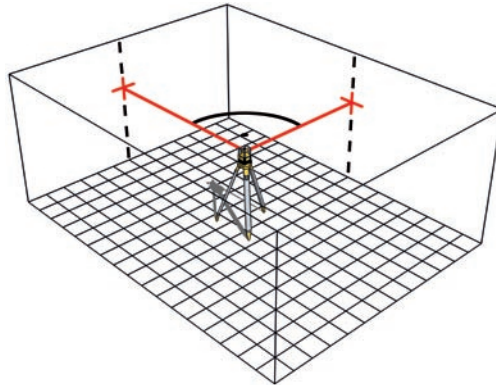
# The different laser functions:

 **Point function**



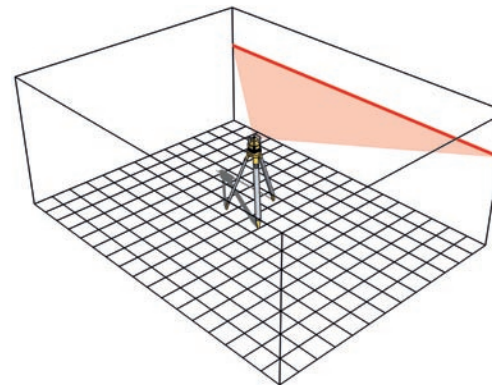
The laser beam is visible as a dot on the viewed surface.

 **Point function with 90° penta prism**



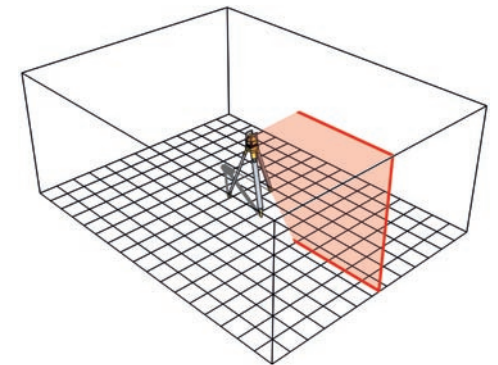
The laser beam is emitted at right angles to the horizontal beam.

 **Scan line function, horizontal**



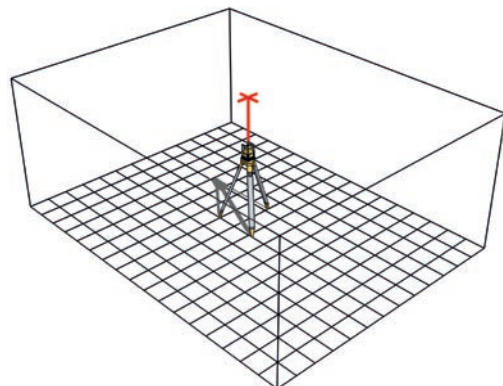
The laser projects a horizontal line onto the wall.

 **Scan line function, vertical**



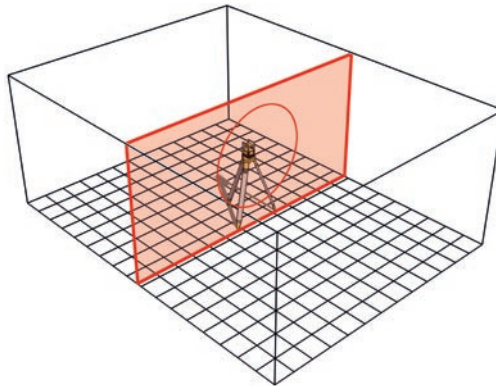
The laser projects vertical lines onto floors, walls and ceiling.

 **Plumb-line function**



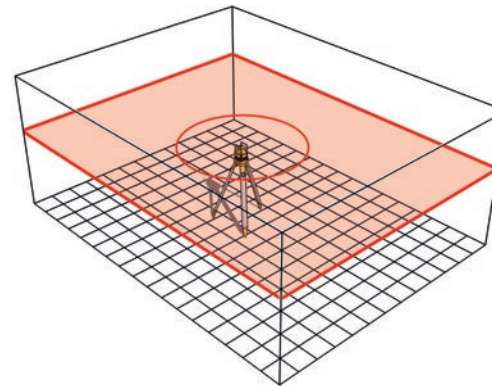
Transfers a determined point from the floor to the ceiling.

 **Rotation function, vertical**



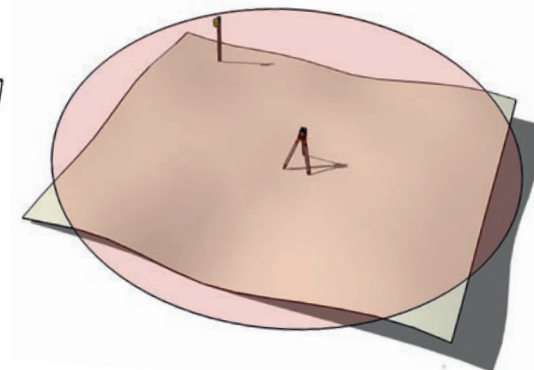
The laser beam rotates vertically through 360° around its vertical axis.

 **Rotation function, horizontal**



The laser beam rotates horizontally through 360° around its vertical axis.

**Receiver working range 600' (180 m)**



**STABILA®**



...sets standards

**Type LAPR 150 – Rotating laser**



**Ideal for:  
Residential construction and  
residential concrete.**

Working range: 600' (180 m) with receiver.





### LAPR 150 Set

Type LAPR 150 rotation laser with point and line mode, target plate, receiver. Carrying case.

Laser class	Output	Laser wavelength	Leveling accuracy horizontal	Leveling accuracy vertical	Receiver working range*	Battery life	Cat. #
2	< 1 mW	635 nm	± 1/4" @ 100' (± 0,2 mm/m)	± 5/16" @ 100' (± 0,3 mm/m)	600' (180 m)	approx. 80 h	05150

\* At 21 °C, under optimum atmospheric conditions



The eye is protected against momentary direct exposure to the laser beam of class 2 laser equipment by the reflex action of closing the lid and/or the reaction of turning away. These instruments may therefore be used without the use of further protective measures. Nevertheless, you should not look directly into the laser beam.

### Direct perfect starting: LAPR 150 All-inclusive Set

Type LAPR 150 rotation laser with point and line mode, target plate, receiver, leveling rod, construction tripod and carrying case.

Cat. #
05155



STABILA, INC · 332 Industrial Drive · South Elgin, IL 60177

Our technical hotline will support you on all questions relating to product selection and use. Phone 800-869-7460. You can of course also email us at [custservice@stabila.com](mailto:custservice@stabila.com)